

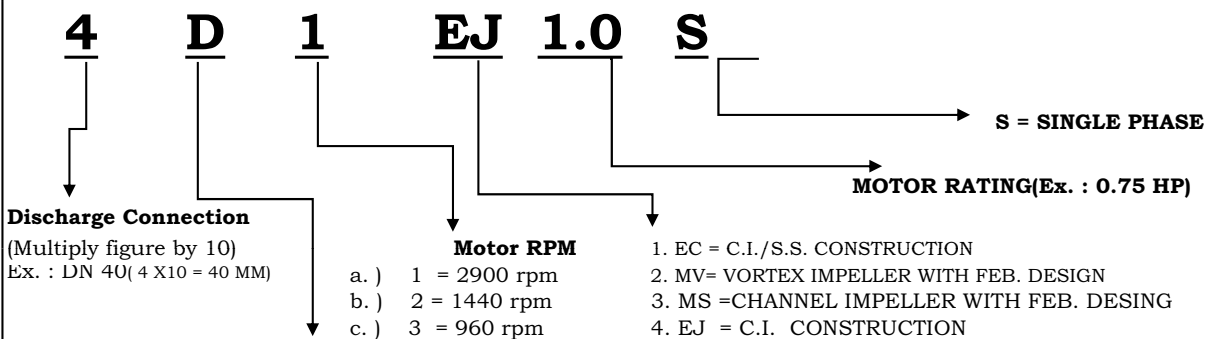
PERFORMANCE CHART

"VIRAJ" MAKE PORTABLE DEWATERING SUBMERSIBLE PUMP

SR. NO.	MODEL	HP	Solid Size mm	H E A D I N M E T E R														Weight in Kgs.	
				4	6	8	10	12	15	18	20	24	26	30	35	40	45		
DEWATERING C.I./S.S. CONSTRUCTION - 2900 RPM																			
01	5D1EJ1 / 5D1EJ1S	1.0	6	380	310	250	180	85	Shut-Off Head - 14 Mtr							21			
02	5D1EJ1.5 / 6D1EJ1.5 / 6D1EJ1.5S/8D1EJ1.5	1.5	8	480	400	355	250	180	Shut-Off Head - 15 Mtr							25			
03	5D1EJ2 / 6D1EJ2 / 6D1EJ2S	2.0	8	500	440	390	300	195	80	Shut-Off Head - 17 Mtr					27				
04	8DJEJ2 / 8D1EJ2S	2.0	8	680	570	480	260	180	Shut-Off Head - 14.5 Mtr							27			
05	5D1EJ3/6D1EJ3 / 8D1EJ3	3.0	10	890	780	660	550	450	250	Shut-Off Head - 21 Mtr					35				
DEWATERING (2900 RPM)																			
06	5D1MJ3/6D1MJ3 / 8D1MJ3	3.0	10	890	780	660	550	450	250	85	S.H. - 20 Mtr					35			
07	6D1MJ5 / 8D1MJ5/10D1MJ5	5.0	10	1250	1100	1000	850	575	280	130	100	Shut Off Head - 25 Mtr				46			
08	6D1MJ7.5/8D1MJ7.5/10D1MJ7.5	7.5	10	2150	1980	1850	1650	1400	1250	980	600	380	130	ShutOff Head-28 Mtr		65			
09	8D1MJ10 / 10D1MJ10	10.0	10	2460	2160	1980	1800	1650	1400	980	750	540	230	140	ShutOff -		78		
10	8D1MJ12.5 / 10D1MJ1.5S	12.5	10	2800	2450	2300	2180	1850	1600	1300	1100	900	600	250	S.H. -32.5Mtr		95		
11	10D1MJ15/15D1MJ15	15.0	10	4000	3250	3100	2850	2400	2250	2180	2000	1250	1000	400	S.H. -35Mtr		115		
12	10D1MJ20/15D1MJ20	20.0	10	4800	4500	4350	3750	3400	3000	2650	2400	1800	1500	600	300	S.H.-40 MT		180	
13	10D1MJ25/15D1MJ25	25.0	10		4700	4500	4000	3680	3400	3100	2600	2400	2100	1100	600	S.H.-40 MT		210	
14	15D1MJ30/20D1MJ30	30.0	10			5200	4800	4300	4000	3500	3250	3000	2500	1500	800	380	S.H. - 42		230
15	15D1MJ35/20D1MJ35	35.0	10			5500	5100	4580	4300	3880	3500	3200	2750	1700	1100	500	S.H. - 44		280
16	15D1MJ40/20D1MJ40	40.0	10				5900	5200	4580	4200	3890	3650	3200	2100	1500	700	S.H. - 44		310
DEWATERING (2900 RPM)																			
01	15D1MJ50	50.0	20	5000	4800	4300	4000	3800	3600	3400	3200	3000	2500	2800	2000	1200	S.H.-71		340
02	20D1MJ50	50.0	20	8800	8300	7800	6200	5200	4200	3200	1800	Shut Off Head - 52 Mtr					350		
03	15D1MJ60	60.0	20				5600	5200	5000	4500	4200	3800	3400	3000	2400	1800	S.H.-75		380
04	20D1MJ60	60.0	20		8400	7800	7200	6500	5700	4600	3800	2800	1200	ShutOff Head-56 Mtr					390
05	20D1MJ65	65.0	20		9000	8500	8000	7000	6050	5300	4200	3200	1600						410



MODEL DESIGNATION OF PUMP



- * All model equipped with Twin- Seal & In Single Phase Model we are provided panel with pump.
- * **EJ Series** (Portable Submersible Dewatering) **up to 3.0 HP** We are giving in STD. Construction All Part C.I. with S.S. Outer Jacket.
- * **EJ Series** (Portable Submersible Dewatering) **Above 3.0 HP** We are giving in P.V.C. Insulation Wound Motor with Oil Filled . All other Series & Model Motor should be "F" Class Heavy Duty Continuous Rated Motor.
- * **WE ARE ALSO PROVIDED ANY SPECIFIC REQUIRED PERFORMANCE IN ABOVE PRODUCT.**